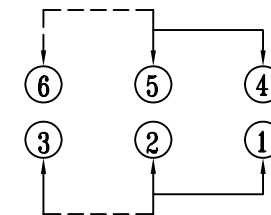
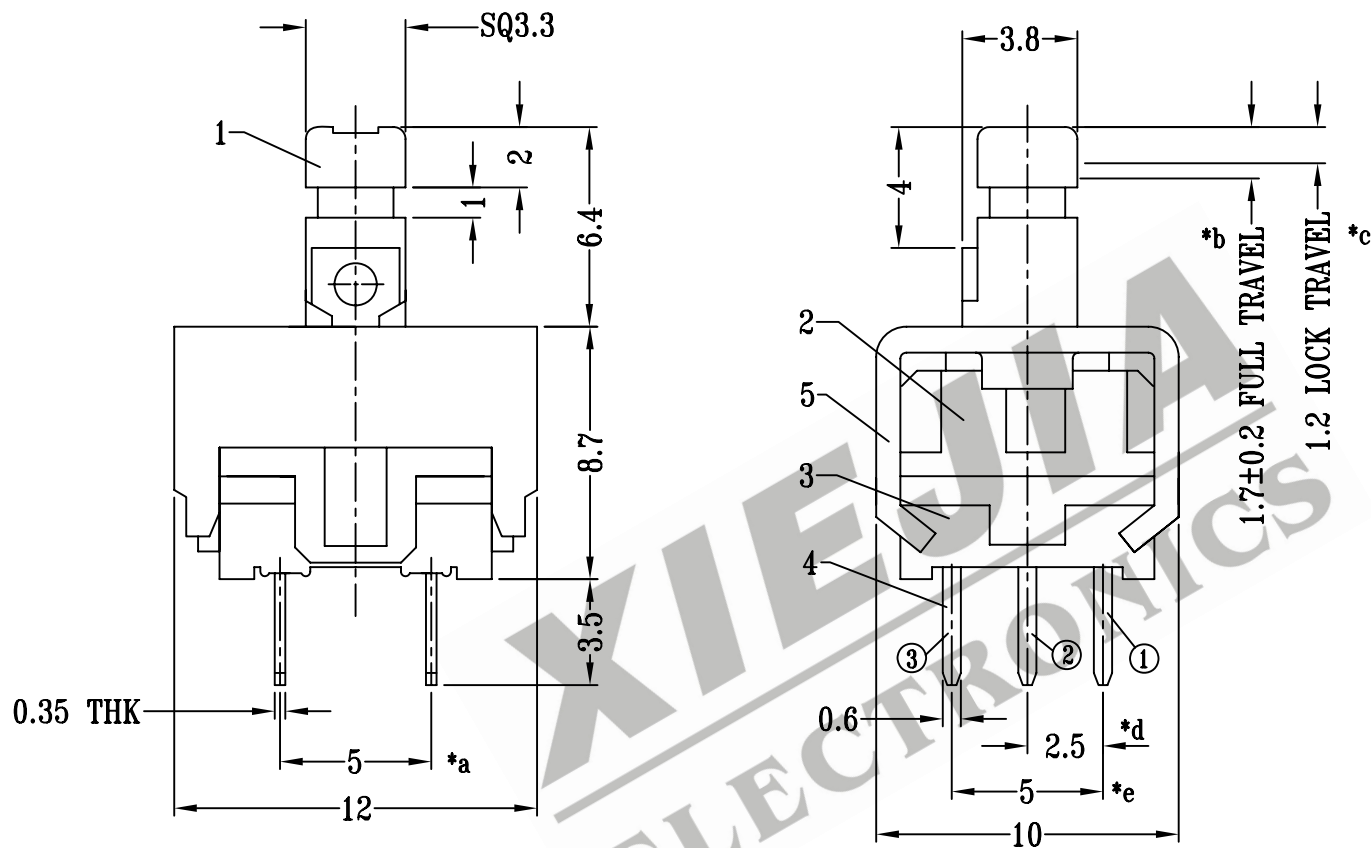
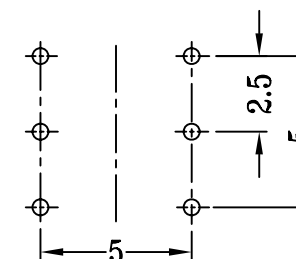


CAD FILE:



SCHEMATIC (NON-SHORTING)



P.C.B LAYOUT

注:带“*”表示关键尺寸(5个)

9	CASE	PBT	2	BLUE
8	CAM STICK	STAINLESS STEEL	1	WASHING
7	CONTACT CLIP	PBS	2	Ag CLAD
6	SPRING	STAINLESS STEEL	1	TEMPER
5	FRAME	STEEL STRIP	1	SN COATED
4	TERMINAL	BRASS STRIP	6	Ag PLATED OVER Ni PLATED
3	CASE	PBT	1	BLACK
2	COVER	POM	1	BLACK
1	KNOB	POM	1	BLUE
NO.	PARTS	MATERIALS	Q'TY	FINISH

TOLERANCE UNLESS SPECIFIED		SHENZHEN XIEJIA ELECTRONICS CO.,LTD.		
WITHIN : 1.5±0.1mm		ISSUE	DATE	DESCRIPTIONS OF REVISION
OVER : 1.5±0.2mm				APPD.
TITLE : VERTICAL PUSH SWITCH		UNIT : mm	DRWG NO.: XJ-DR-PBM0112-00	
MODEL: PBM-0112		SCALE: 1:1	DWN.	ZHOUYU 2002-12-9
ALL MATERIALS MUST BE COMPLIANT TO ROHS			CHK'D	FANGYING 2002-12-9
			APPD.	KANGXINAN 2002-12-9